

# vortexer™

variable speed vortexing unit

## Multi-purpose, maximum convenience

One mixing head for a variety of tube sizes makes the vortexer™, by Heathrow Scientific, the most functional unit for a range of applications requiring gentle mixing to high speed vortexing. This innovative product eliminates the need to swap out head units with a patent pending mixing head that accommodates six tube sizes (0.2, 0.5, 1.5/2, 5, 15, 50 mL), a standard assay plate and includes a center pad area that can be used for quick touch operation. Innovative head can be removed for cleaning purposes.

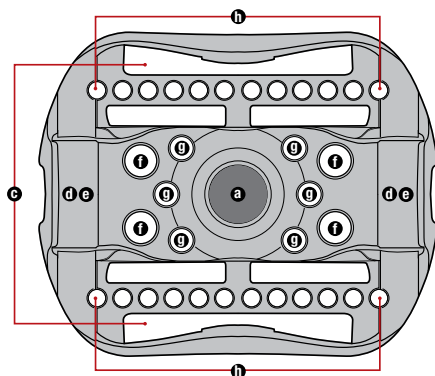
With maximum convenience and use of space available, the vortexer™ has a four position variable speed rotary dial that provides pre-set speed controls (1000, 2000, 3000 rpm) for continuous or intermittent mixing. In addition, a counter balance system and stable elastomeric device feet minimize vibration and prevents the vortex mixer from walking, even at high speeds, during operation.

### Specifications

<b>Speed Range:</b>	Variable 1000-3000 rpm (shaking to vortexing)
<b>Orbit:</b>	3.7 mm
<b>Control:</b>	3 position slider — (top) intermittent, (middle) off, (bottom) continuous
<b>Weight:</b>	8.66 Lb/3.93 Kg
<b>Dimensions:</b>	171w x 190d x 197h mm (6.67w x 7.41d x 7.68h in.) (with mixing head in place)
	SGS-US-C, CE, CB Scheme, RoHS 2, PSE, and WEEE compliant

### Two-year warranty

Part No.	Power Supply	
HS120209	110V – 120V, 50-60 Hz, 50 Watts, US/NA	⏏
HS120212	220V – 240V, 50-60 Hz, 40 Watts, CE	⏏
HS120214	220V – 240V, 50-60 Hz, 40 Watts, UK	⏏
HS120210	220V – 240V, 50-60 Hz, 40 Watts, AUS	⏏
HS120318	100V – 110V, 50-60 Hz, 52 Watts, Japan	⏏



## 6 Different Sizes of Tubes

Including standard assay plate

### Mixing head holding capacity

<b>a</b>	Center pad area for hand held mixing
	Assay plate x 1 (to be used with retention cords)
<b>c</b>	50 mL conical tubes x 2 (horizontally mounted)
<b>d</b>	15 mL conical tubes x 2 (horizontally mounted)
<b>e</b>	5 mL tubes x 2 (horizontally mounted in the same retention space as 15 mL)
<b>f</b>	1.5/2 mL microfuge tubes x 4 (vertically mounted)
<b>g</b>	0.5 mL microfuge tubes x 6 (vertically mounted)
<b>h</b>	0.2 mL microfuge tubes (strip tubes) x 24 (vertically mounted)





HS4010A

# sea★star®

digital orbital shaker

The Sea Star®, by Heathrow Scientific, is compact yet packed full of high-end features making it a dependable and versatile shaker for a vast range of protocols. A soft-start feature reduces spills from full vessels and adjustable speeds accommodate sensitive sample agitation to more vigorous applications. A no-stop optical motor feedback enables the unit to instantly adjust to weight changes and unbalanced loads for truly reproducible results.

- Suitable for use in incubators and cold rooms within the stated temperature range
- Universal hi-lo platform and bungee cords allows you to create your own holding matrix for vessels of all shapes and sizes
- Back lit display is easy to read. Time and speed can be separately set



Bungee cords allows you to create your own holding matrix for vessels of all shapes and sizes

### Specifications

<b>Speed Range:</b>	20 to 300 rpm 1 rpm increments
<b>Orbit Diameter:</b>	19.2 mm
<b>Timer Range:</b>	0 to 49 hours, 1 second increments or continuous
<b>Maximum Load:</b>	4.5 kg with an overload protection cut out
<b>Power:</b>	Suitable for worldwide voltages 110 to 240 VAC, 50/60 Hz 18 w with 4 interchangeable plug adapters
<b>Ambient Conditions:</b>	4° to 40°C; 20 to 80% rh, non-condensing platform interior
<b>Useable Dimensions:</b>	280 mm w x 280 mm h (10.92 w x 10.92 h in)
<b>One-year warranty</b>	



Heathrow Scientific, LLC | 620 Lakeview Parkway, Vernon Hills IL 60061 USA  
Tel.: +1-800-741-4597 | Fax: +1-847-816-5072 | E-mail: info@heatsci.com